

POSC07100A series

7.5V / 1A Wall mounted type AC/DC adaptor



■ Features:

- Universal AC input / Full range
- ErP step II / CEC level VI compliance
- MTBF > 100.000 h

- Protections: Overload / Short circuit / Over Voltage



ELECTRICAL SPECIFICATION

| | |
|-------|------------|
| MODEL | POSC07100A |
|-------|------------|

OUTPUT

| | |
|---------------------------|----------------------------------|
| Rated Voltage | 7.5V |
| Rated Current | 1A |
| Current Range | 0 ÷ 1A |
| Rated Power | 7.5W |
| Line Regulation | ± 5% |
| Load Regulation | ± 5% |
| Tolerance [3] | ± 8% |
| Ripple & Noise (max.) [2] | 200mV _{p-p} |
| Rise Time [4] | 30ms / 230VAC at 10% to 90% load |
| Hold up Time (typ.) | 3ms / 230VAC at full load |

INPUT

| | |
|----------------------------------|--|
| Voltage Range | 90 ÷ 264VAC |
| Frequency Range | 47 ÷ 63Hz |
| Efficiency (typ.) | 80.26% - Input115/230Vac / Average (25%+50%+75%+100%) /4 |
| AC Current (typ.) | 0.4A / 230VAC |
| No load Power Consumption (max.) | <0.10W |

PROTECTIONS

| | |
|---------------|-----------------------------------|
| Overload | 1.1A-1.8A Auto-recovery. |
| Short Circuit | Type: hiccup mode, auto-recovery. |
| Over Voltage | Type: auto-recovery. |

POSC07100A series

7.5V / 1A Wall mounted type AC/DC adaptor



WORKING ENVIRONMENT

| | |
|---|---|
| Working Temperature | -5°C ÷ 40°C |
| Working Humidity | 5 ÷ 95% RH non-condensing |
| Storage Temperature and Humidity | -40°C ÷ 85°C, 5 ÷ 90% RH non-condensing |

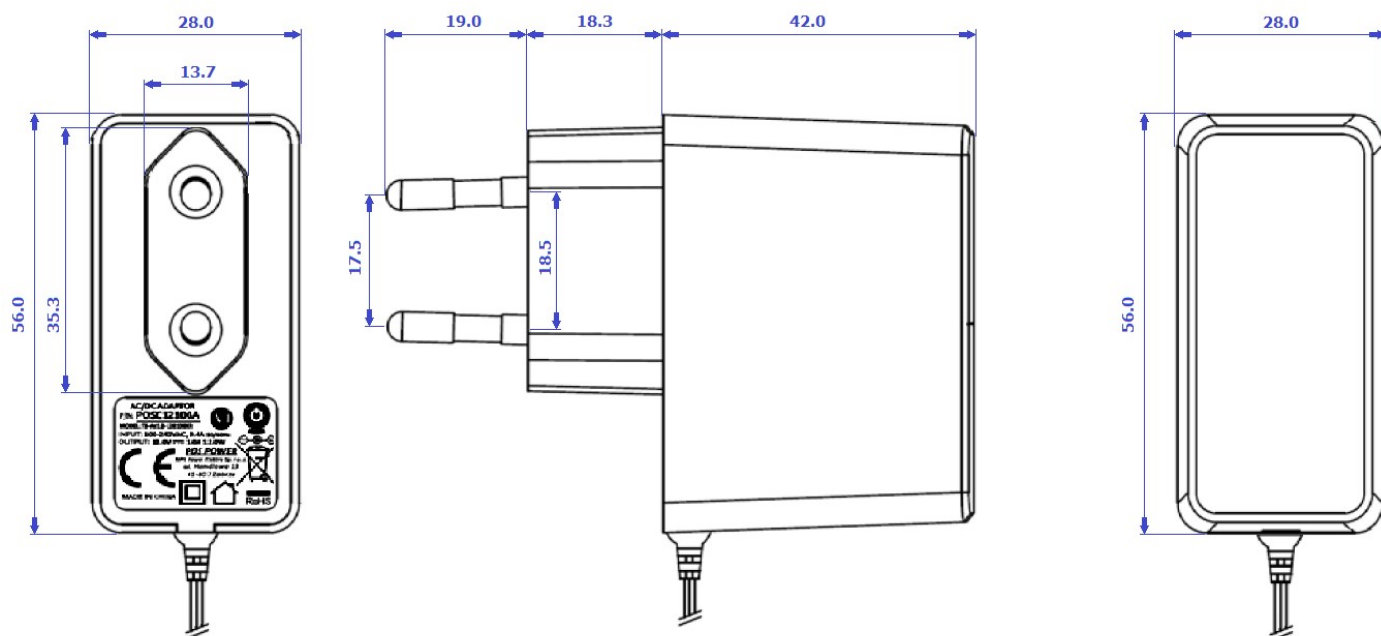
SAFETY and EMC REGULATIONS

| | |
|-----------------------------|--|
| Safety Standards | Compliance to EN 62368 |
| Withstand Voltage | IN/OUT: 3.6kVAC |
| Isolation Resistance | IN/OUT: 50MΩ/500VDC/25°C/70% |
| EMC Emission | Compliance to EN55032 |
| EMC Immunity | Compliance to EN61000-4-2, -3, -4, -5 |
| Harmonic Current | Compliance to EN61000-3-3; EN61000-3-2 |

OTHERS

| | | |
|--------------------------------|--|-----------------|
| DC wire and plug | Wire: 24AWG*2C, length = 1500mm | Plug: 2.1/5.5mm |
| Net Weight / Dimensions | 73g / 56.0 x 28.0 x 42.0mm (L x W x H) | |

MECHANICAL SPECIFICATION

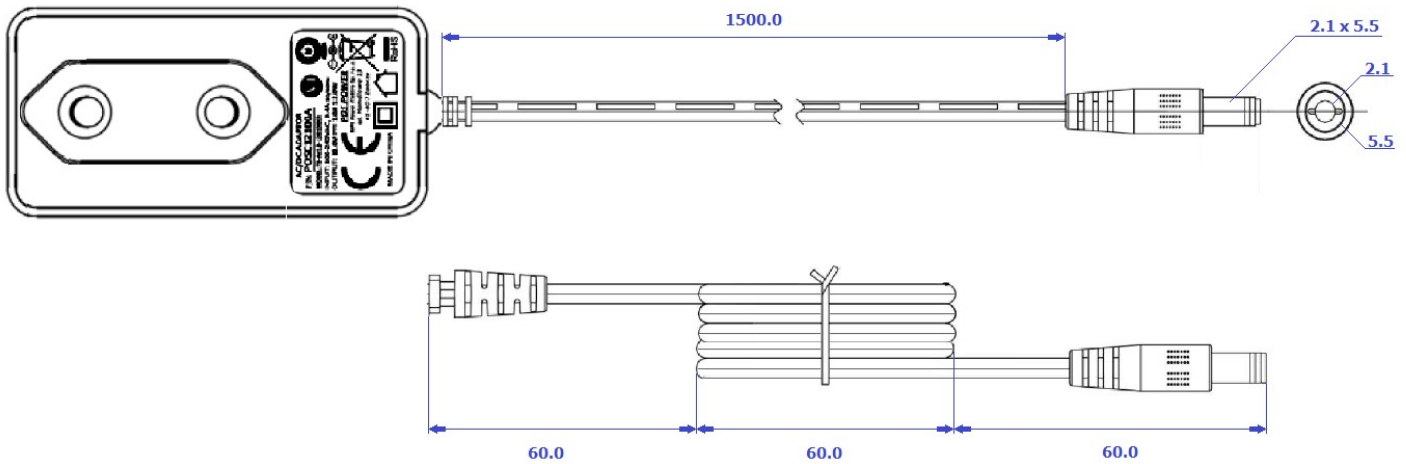


POSC07100A series

7.5V / 1A Wall mounted type AC/DC adaptor



MECHANICAL SPECIFICATION: DC wire and plug



| MODEL | DC PLUG | X [mm] | Y [mm] | Polarity |
|--------------------|-----------|--------|--------|-----------------|
| POSC07100A | 5.5x2.1mm | 5.5 | 2.1 | center positive |
| POSC07100A-2555 | 5.5x2.5mm | 5.5 | 2.5 | center positive |
| POSC07100A-1335 | 3.5x1.3mm | 3.5 | 1.3 | center positive |
| POSC07100A-1740 | 4.0x1.7mm | 4.0 | 1.7 | center positive |
| POSC07100A-1748 | 4.8x1.7mm | 4.8 | 1.7 | center positive |
| POSC07100A-CN | 5.5x2.1mm | 5.5 | 2.1 | center negative |
| POSC07100A-2555-CN | 5.5x2.5mm | 5.5 | 2.5 | center negative |
| POSC07100A-1335-CN | 3.5x1.3mm | 3.5 | 1.3 | center negative |
| POSC07100A-1740-CN | 4.0x1.7mm | 4.0 | 1.7 | center negative |
| POSC07100A-1748-CN | 4.8x1.7mm | 4.8 | 1.7 | center negative |

1. All parameters NOT specially mentioned are measured at 230VAC input, rated load and 25°C of ambient temperature.
2. Ripple & noise are measured at 20MHz of bandwidth by using a 12" twisted pair-wire terminated with a 0.1μF i 47μF parallel capacitor.
3. Tolerance includes set up tolerance, line regulation and load regulation.
4. Setup and rise time is measured from 0 to 90% rated output voltage.
5. Power supply is considered as component not indented to apply by end-user. Power supply meets safety and EMC standards however the final equipment with power supply must be re-quality to comply with EMC Directives.