



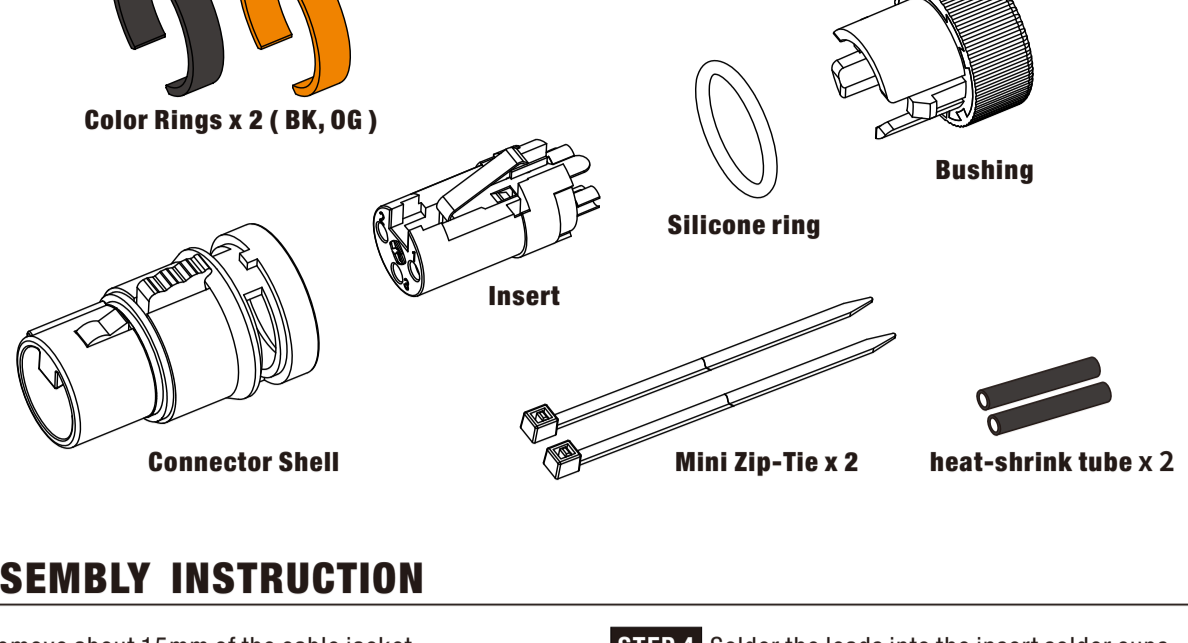
Low Profile Rotatable XLR Female

APPLICATION & ASSEMBLY INSTRUCTION

Item Code: **LX3F**

ROXTONE

1. PACKAGE LIST

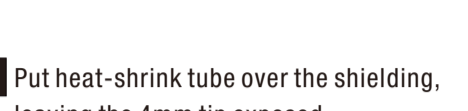


2. ASSEMBLY INSTRUCTION

STEP 1 Remove about 15mm of the cable jacket.



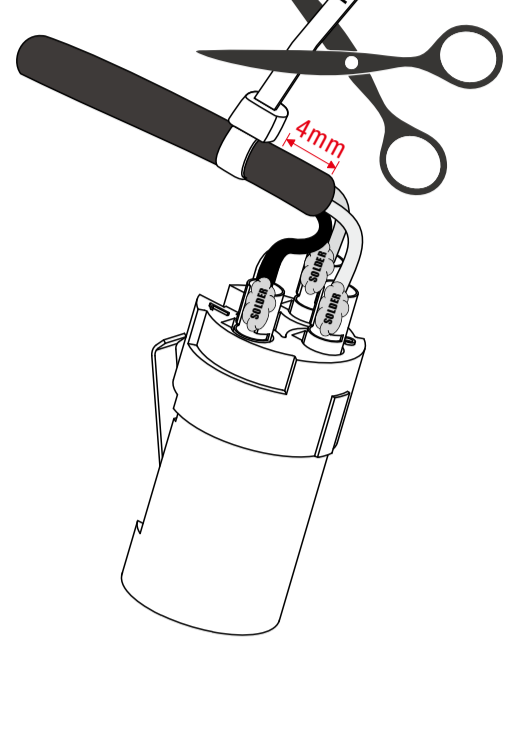
STEP 2 Fray and twist shielding tight. Remove about 4mm of the leads jacket at the end.



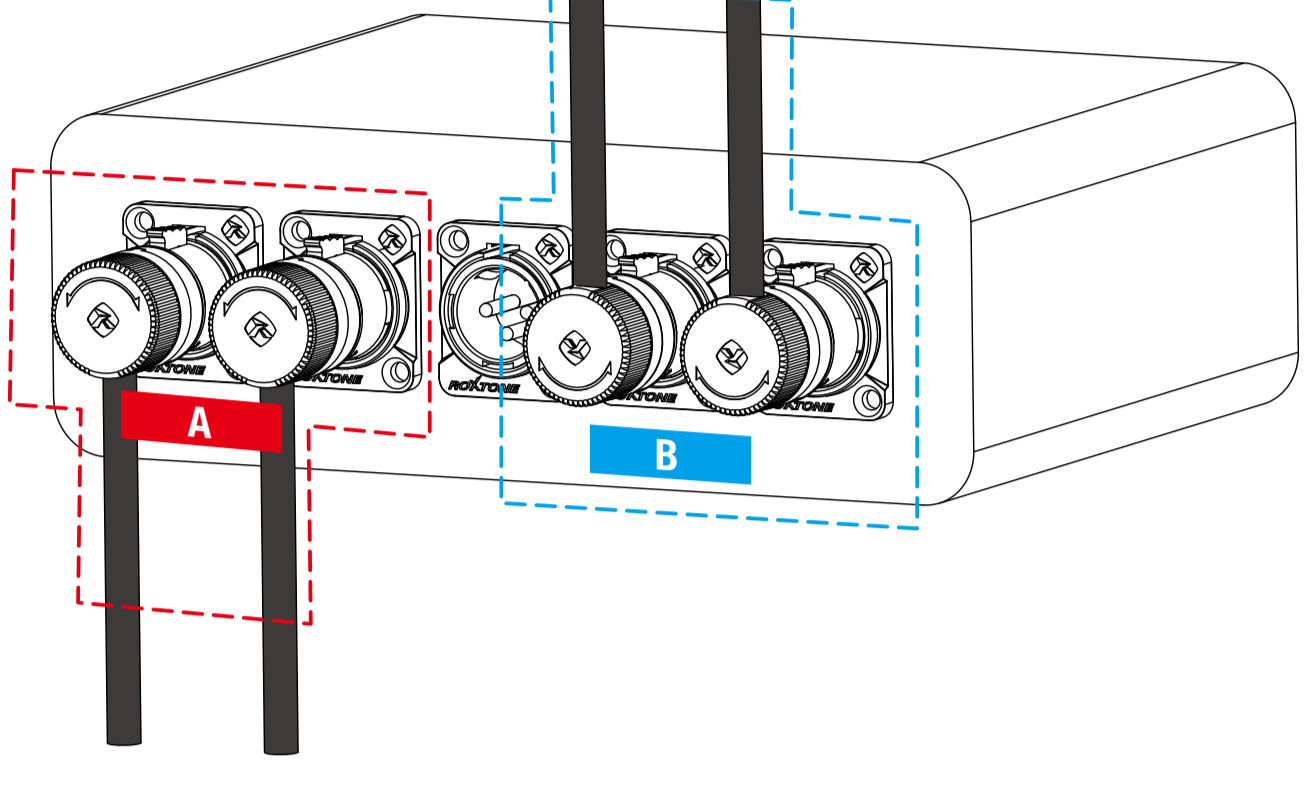
STEP 3 Put heat-shrink tube over the shielding, leaving the 4mm tip exposed.



STEP 4 Solder the leads into the insert solder cups, heat the shrink tube. Install the mini-clip tie 4mm from jacket section and tighten, cut the excess part.



STEP 5 Depending on different application scenarios, the product can be divided into two assembly modes **A** and **B** (as shown in the following figure) according to the orientation of the cable exit.

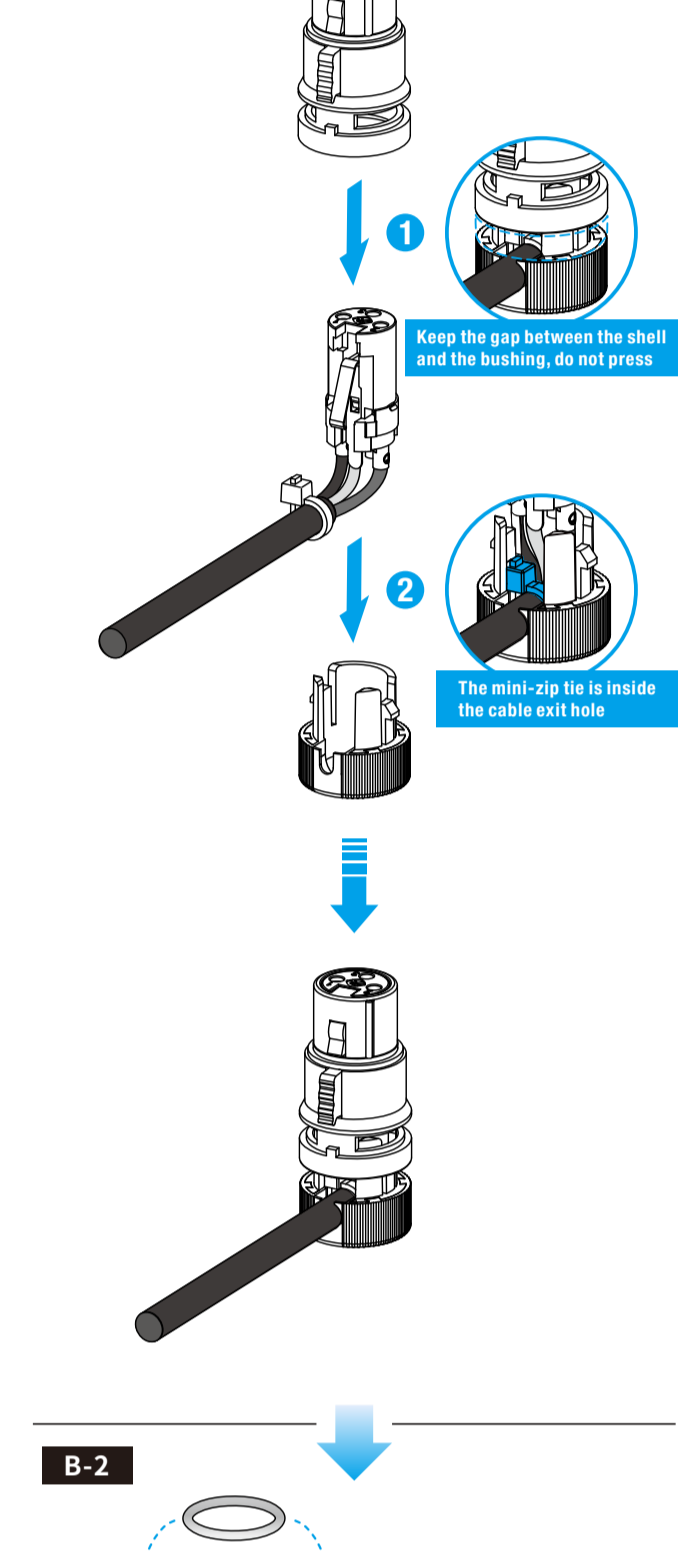
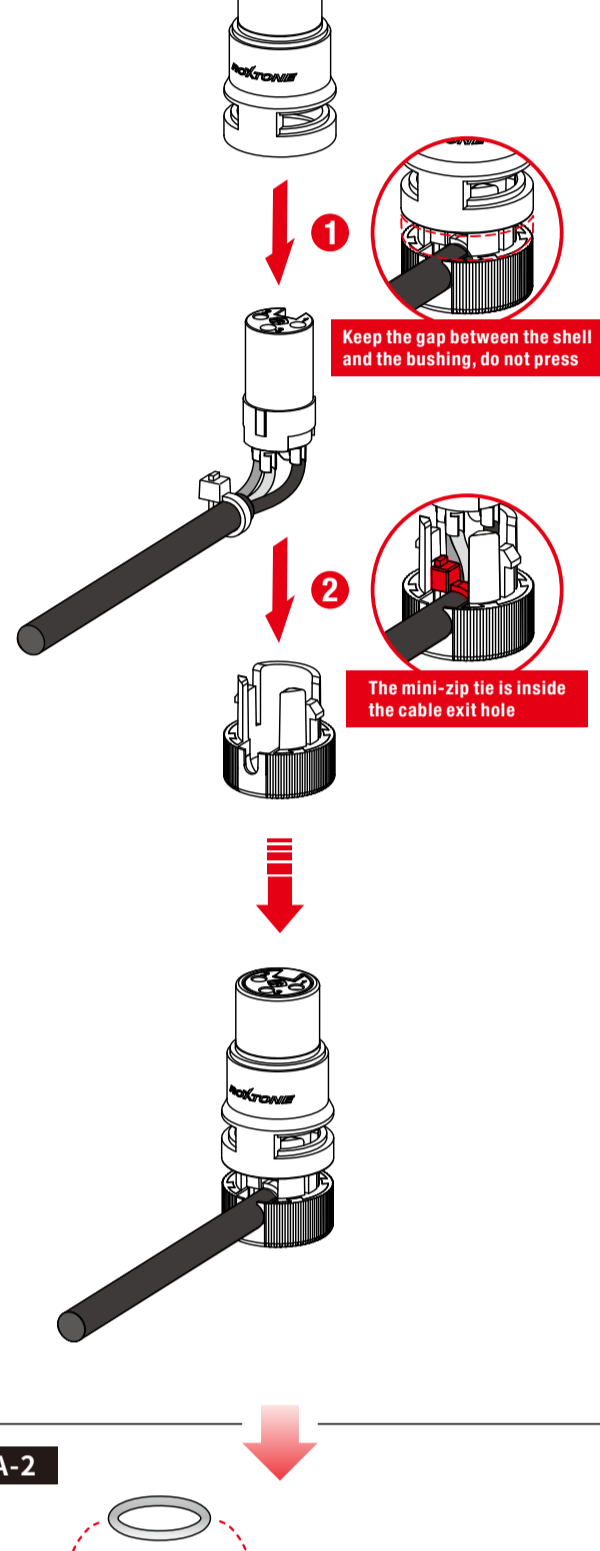


A

B

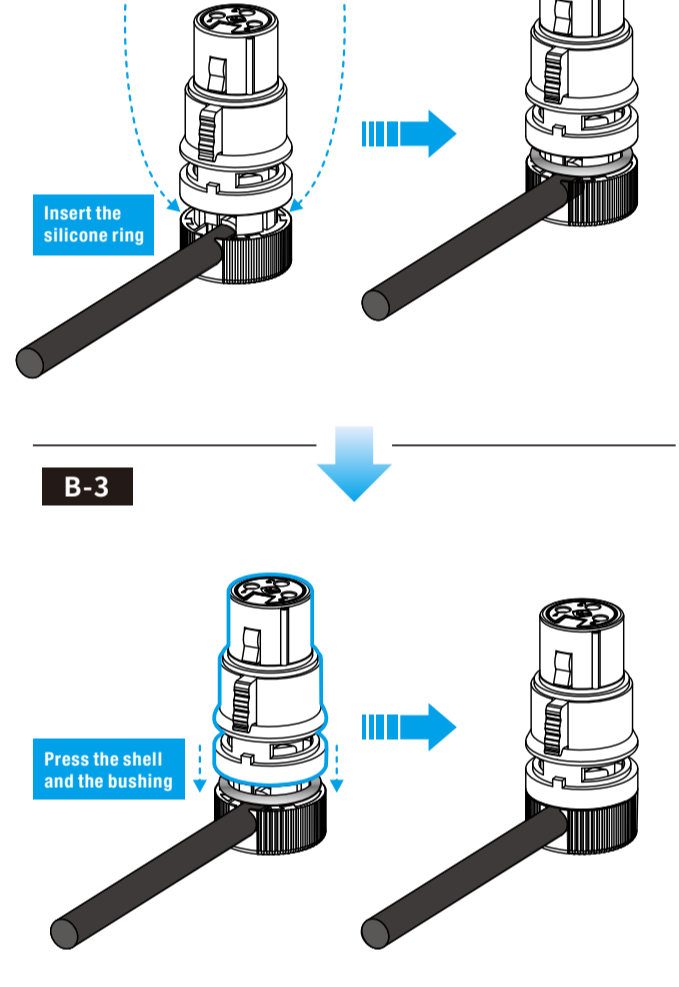
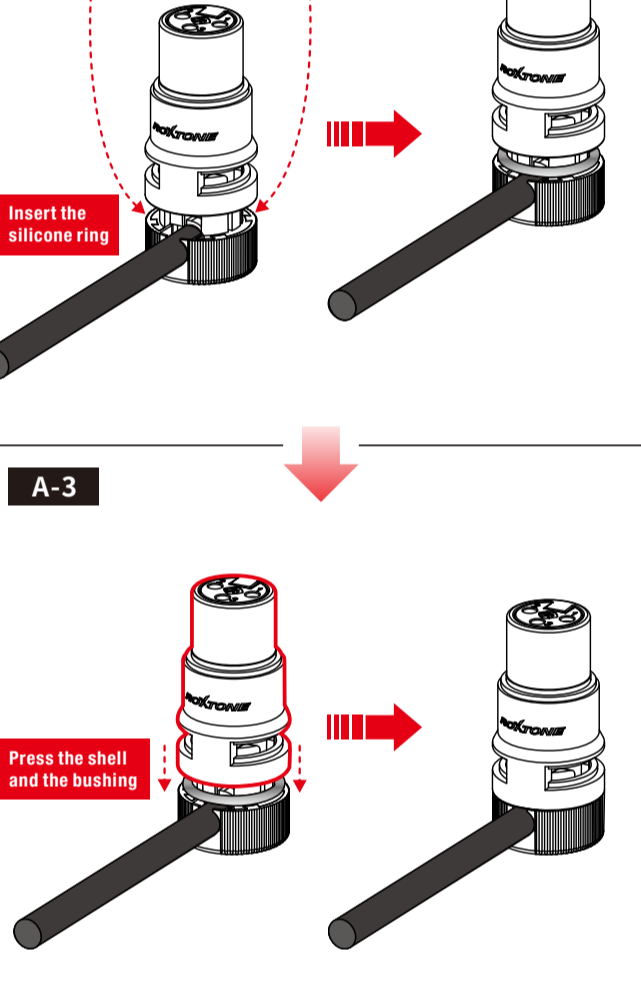
A-1

B-1

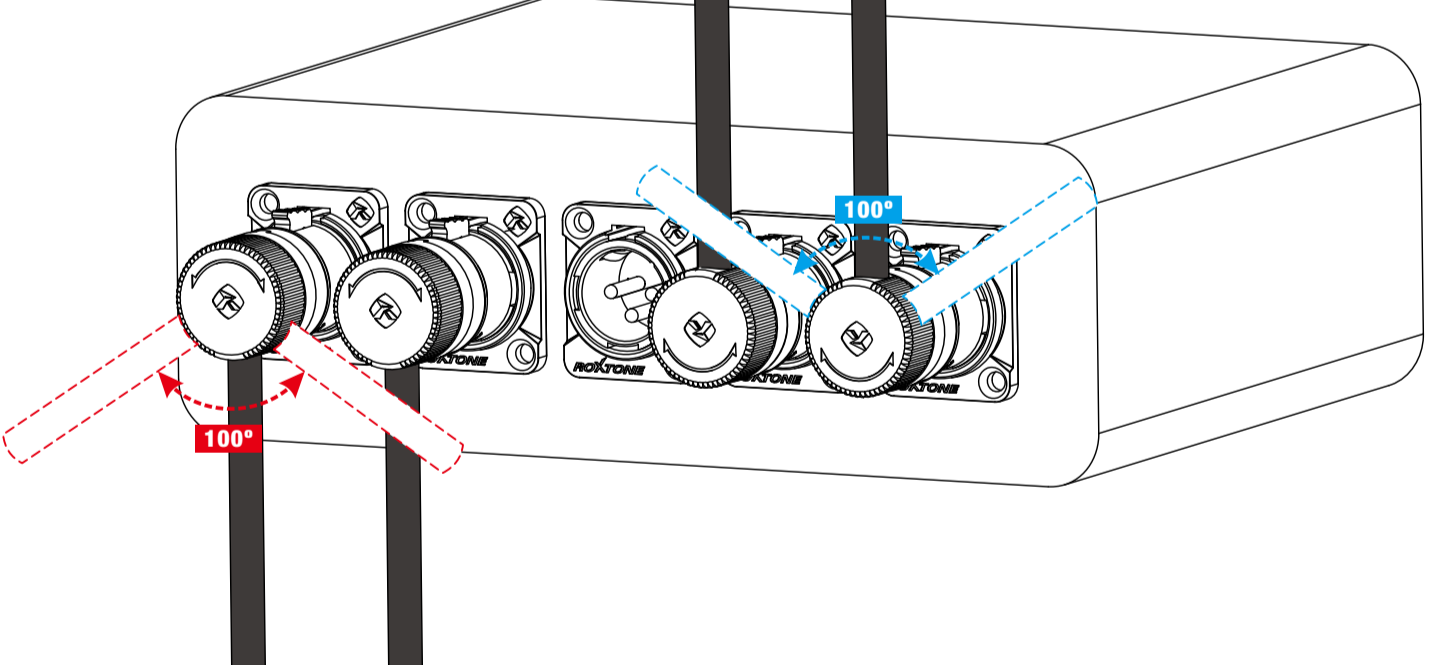


A-3

B-3

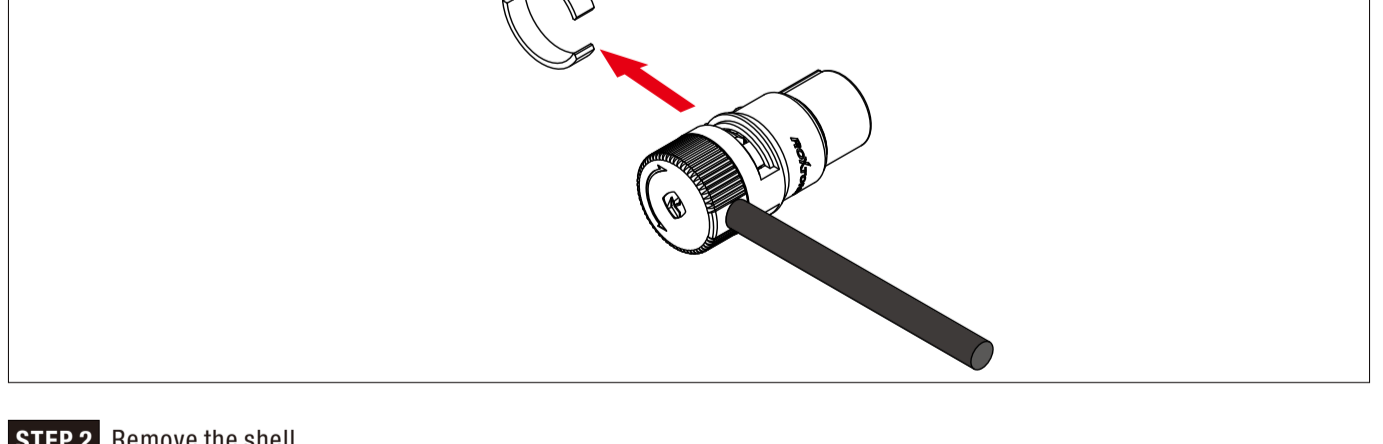
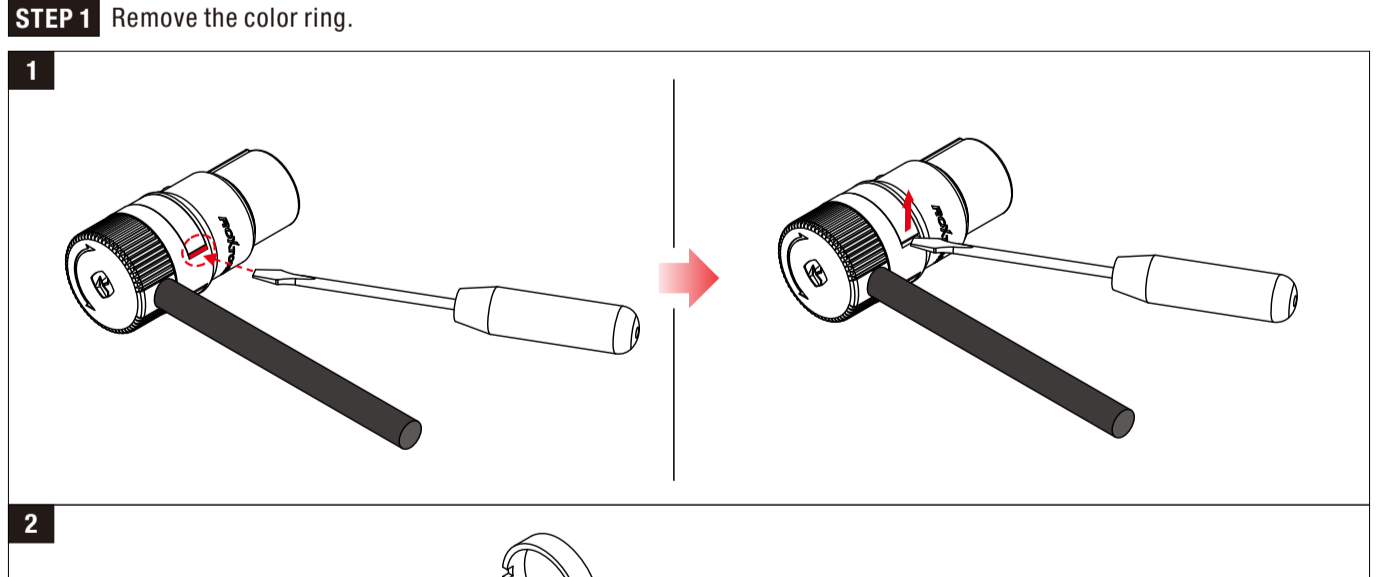


STEP 6 Depending on your usage needs, as shown below, the back cover can be turned within 100° in the same direction to align the cable exit to your preferred position.



3. DISASSEMBLY INSTRUCTION

STEP 1 Remove the color ring.



STEP 2 Remove the shell.

